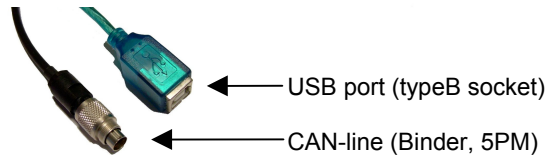
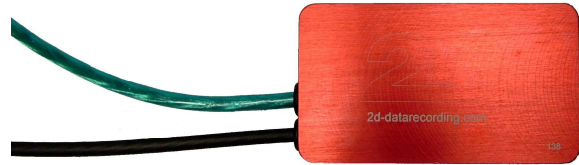


LG-CANMEM1C064/256V2-000

Memory module with USB and 1 CAN

Features

- Plug & Play usable like a USB memory stick
- Powered by USB and CAN as well, for setting on PC no separate supply necessary !
- Swapable memory, usable for endurance race or as extended memory for small 2D logging systems



Technical specifications

Electrical characteristics

Powered by USB and CAN as well.	Yes
CAN-channels.....	64
CAN-line.....	1
CAN-line termination (switchable)...	120 Ω
CAN identifiers.....	unlimited
Memory.....	256 MByte

Mechanical characteristics

Dimensions.....	70 x 40 x 13 mm
Weight.....	90 g
Housing material.....	aluminium
Cable length:	
USB-line.....	400 mm
CAN-line.....	400 mm

Connections

USB port.....	typeB socket, std.
CAN-line.....	Binder 712, 5PM

Environmental data

Operating temperature...	-20 to 75 °C
Humidity.....	5 to 95 %
Sealing class.....	IP 67

Vibration resistance

Shock.....	40 g
.....	10 ms
Vibration tested at.....	12 G
.....	1000 Hz

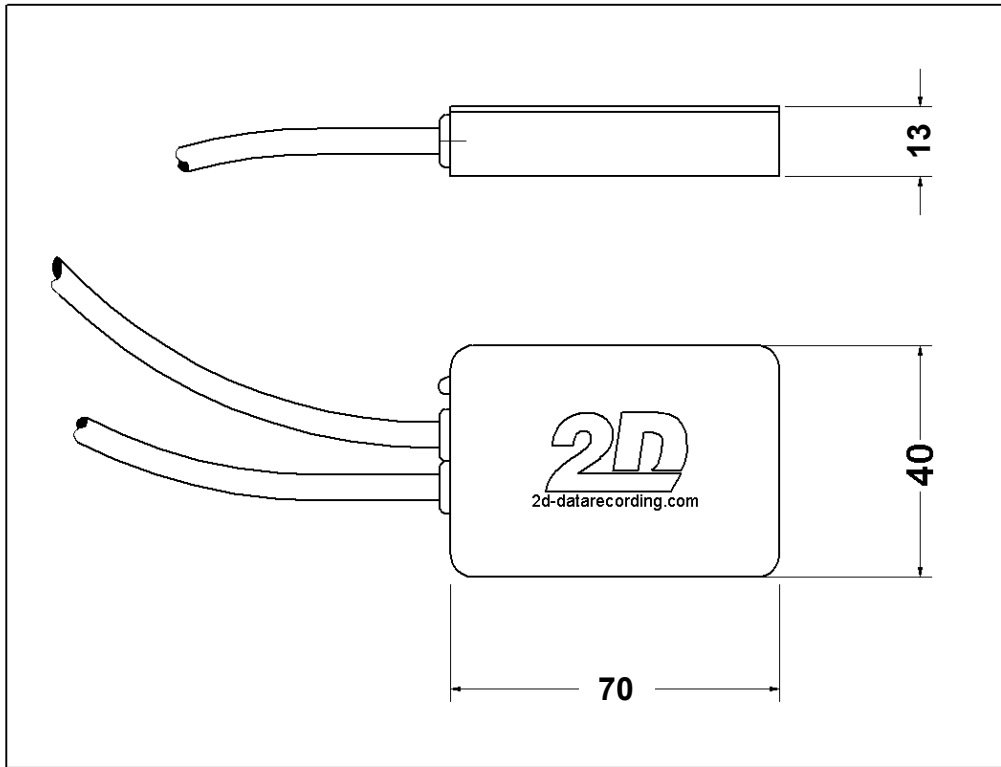
Ordering information

Art.No.:.....LG-CANMEM1C064/256V2-000

LG-CANMEM1C064/256V2-000

Memory module with USB and 1 CAN

Dimensions



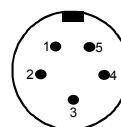
Connector layout

Connector types

CAN-line

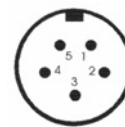
Pin	Name	Description	Color (standard)
1	CAN H	CAN Bus High	white
2	CAN L	CAN Bus Low	green
3	GND	Ground	black
4	LAP/Dout	LAP / Digital Out	blue
5	Vext	Power IN (8-18V)	red

Plug at module



Binder 712, 5 PM (front side)

Mating plug



Binder 712, 5 PF (front side)

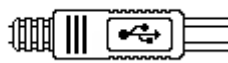
COM-line (USB TypeB standard)

Pin	Name	Description	Color
1	Vcc	+5V	red
2	D -	Data -	orange
3	D+	Data +	blue
4	GND	Ground	black

Plug at module



Mating plug



A documentation about USB driver installation is available at the 2D homepage/CD-ROM
 → <Support><Download><2D manuals><Software manuals><The 2D Reference manual>
 → Take a look at "AC-DOC_USBdriverInstallation_e-000"